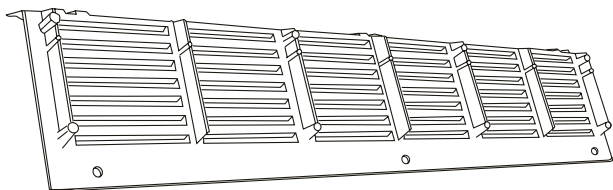


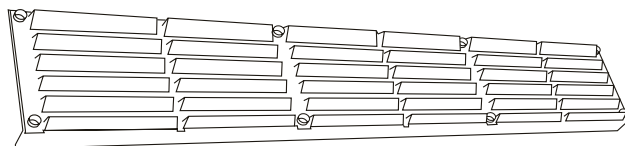
Instructions

Parts for a WIP Kit (Water Intrusion Protection)

FRONT PANELS injection molded in FPC 32 TF
20 COPP Black with additional UV (2 per kit)

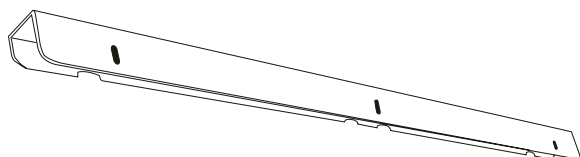


BACK PANELS injection molded in FPC 32 TF 20
COPP Black with additional UV (2 per kit)



ADJUSTABLE METAL BRACKET

18 ga. Sheet Metal Powder Coated Black (2 per kit)



#10 x 3/4" Slot Hex Washer Stainless
Steel Screws Black Ox (28 per kit)



#10 x 1 1/2" Slot Hex Washer Stainless
Steel Screws Black Ox (6 per kit)

Note to Installers:

CHECK LIST

	3/VENT	4/VENT	5/VENT
Fronts (injection molded Black)	6 pcs	8 pcs	10 pcs
Backs (injection molded Black)	6 pcs	8 pcs	10 pcs
Adjustable Black Metal Brackets	6 pcs	8 pcs	10 pcs
Bag of Black Screws*	3 bags	4 bags	5 bags
Instruction Manual	1	1	1

*Each bag contains:

28 pcs #10 x 3/4" Type A Slot Hex Washer Stainless Steel Black Ox
6 pcs #10 x 1 1/2" Type A Slot Hex Washer Stainless Steel Black Ox

Tools Required:

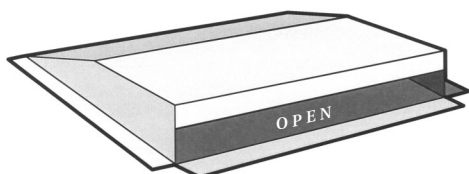
1 Cordless Drill set at 2.5 torque with 2" extension tip,
5/16" Nut Driver and 1/8" drill bit for pilot holes
Pencil, marking device or punch
5/16" Hex Nutdriver

Assembly Instructions PLEASE READ FIRST
NOTE: SCREWS FOR FRONT AND BACK PANELS
MUST BE TIGHTENED BY HAND OR CORDLESS
DRILL WITH 5/16" NUT DRIVER SET AT 2.5
TORQUE. DO NOT OVER TIGHTEN.

Diagram 1

Which type of Off-Ridge Vent do you have?

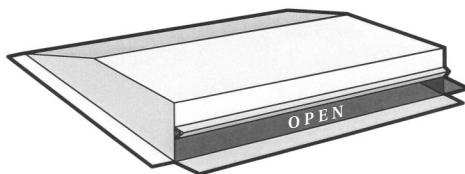
VERSION A



Has No Lip

requires no adjustable brackets

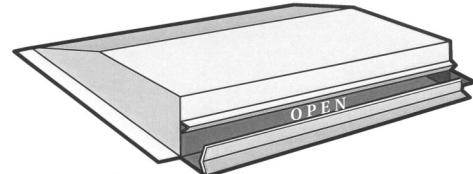
VERSION B



Has Lip

requires adjustable brackets

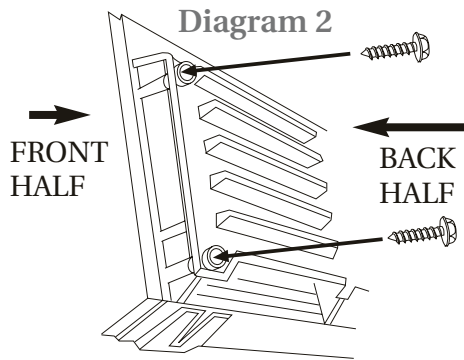
VERSION C



Has Lip & Front Flange

requires adjustable brackets

BASIC ASSEMBLY



1. Align screw holes on fronts and backs (*see diagram 2*) and secure with 8 pcs 3/4" screws. Each WIP Kit requires two of these assemblies. Use 5/16" nutdriver to install. DO NOT OVER TIGHTEN. Repeat until all assemblies are done. (See assembly instructions on front page)
2. Remove Adjustable Metal Brackets from cardboard shipper.
3. Use shipping container to carry assemblies, brackets and balance of screws onto roof.
4. To determine if adjustable metal brackets are required on installations, see *diagram 1* on front page.

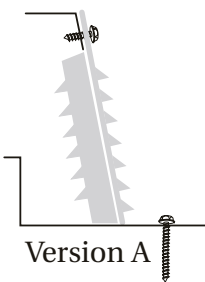
For Version A Off-Ridge Vent

(if unsure look at *Diagram 1* on front page)

NO ADJUSTABLE METAL BRACKETS

5. If metal brackets are NOT required. Place an assembly on RIGHT SIDE FIRST (*diagram 4*) of vent opening, then another on left side to make sure they fit. Adjust left to right, up and down. Make sure they are flush with flat top of vent.

Diagram 3



6. Mark hole locations and drill pilot holes with 1/8" bit on Off Ridge Vent.

7. Starting from the right side of the Vent opening place an assembly and secure with 3 pcs 3/4" screws on Upper Section (Vent Front Face-*see diagram 4*) and 3 pcs 1 1/2" screws on Lower Section (roof-*see diagram 5*). Repeat on left side.

Diagram 4

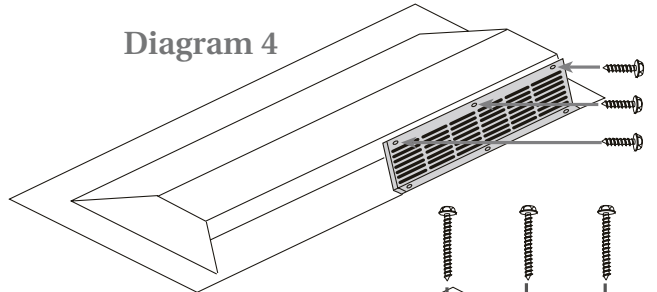
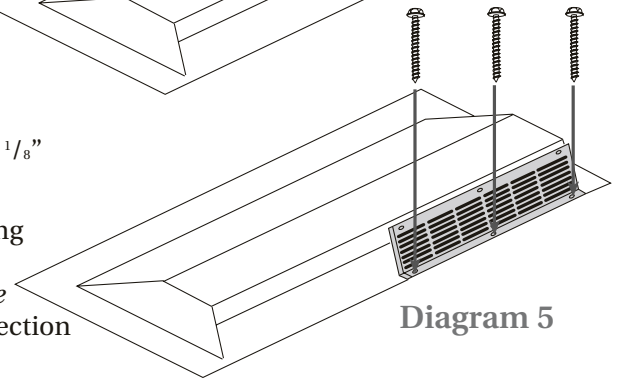


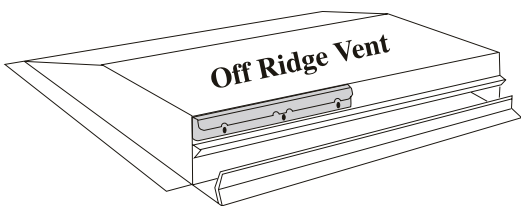
Diagram 5



For Versions B or C Off-Ridge Vent

(if unsure look at *Diagram 1* on front page)

Diagram 6



WITH ADJUSTABLE METAL BRACKETS

8. Place the two metal brackets side by side above the vent opening (*see diagram 6*) and flush to the top of the Off Ridge Vent. Mark locations of screws holes in center of slots of metal brackets.
9. Using the 1/8" drill bit, drill pilot holes (3 for each bracket).
10. Secure brackets with 3/4" screws (3 per bracket) using cordless drill with extension tip and 5/16" nut driver.
11. Place an assembly on the right side of the vent opening matching the screw holes on the assembly with the holes on the metal bracket.
12. Secure the right side assembly first with 3 3/4" screws onto the Metal bracket then do the left.
13. Push bottom of assembly towards opening of the Off Ridge Vent and secure with 1 1/2" screws (3 per assembly).
14. Repeat steps until all kits are in place. (*see diagrams 7 & 8 for finished cross section of completed unit*)

Diagram 7

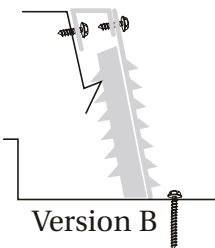
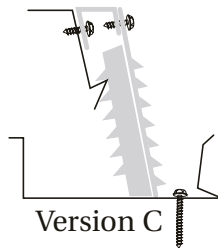


Diagram 8



DISCLAIMER WARNING:

"The WIP KITS should only be installed by licensed roofing professionals. TR Design Group Inc. expressly disclaims any liability for injuries caused by or related to the WIP KITS or their installation"